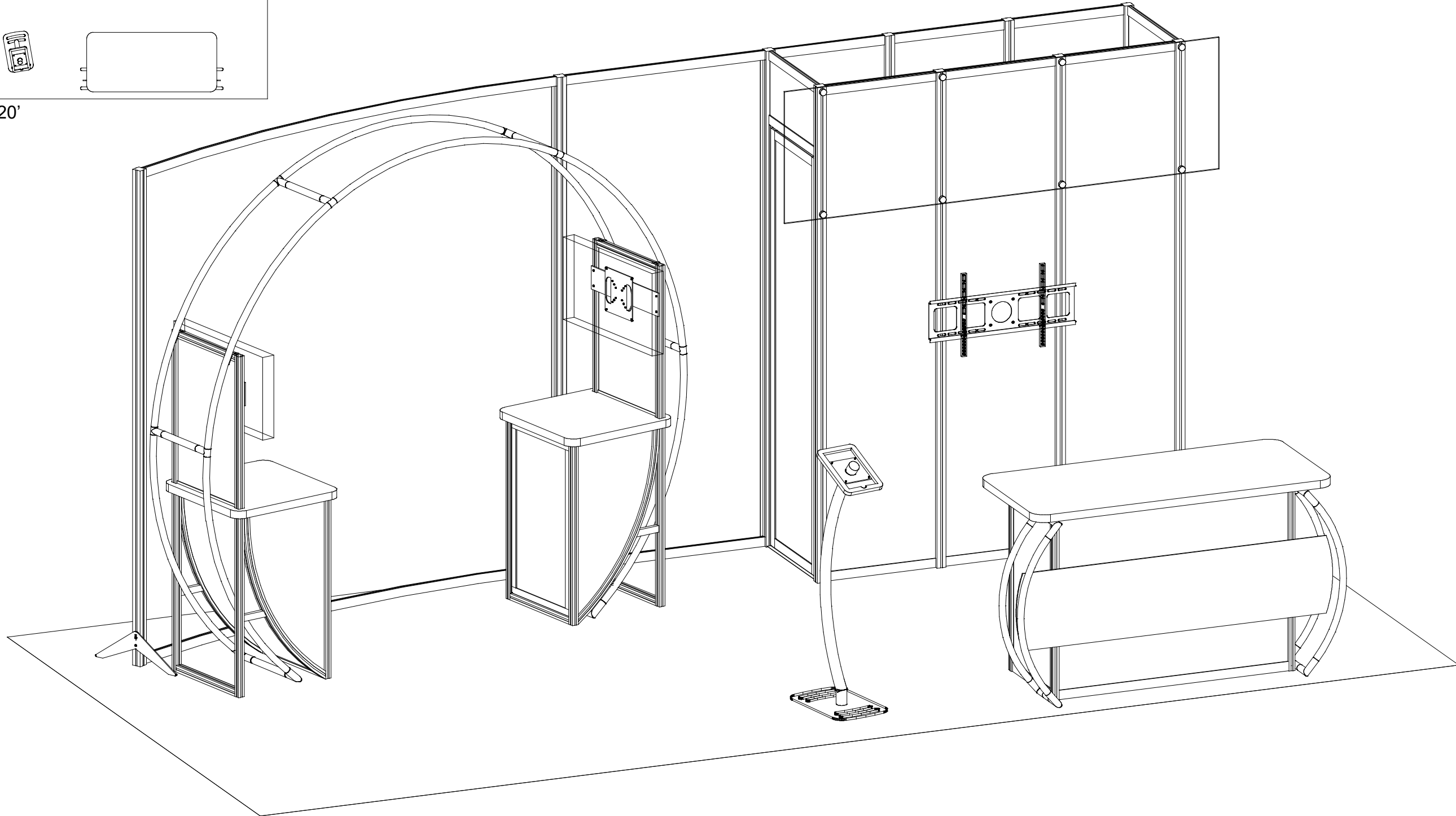


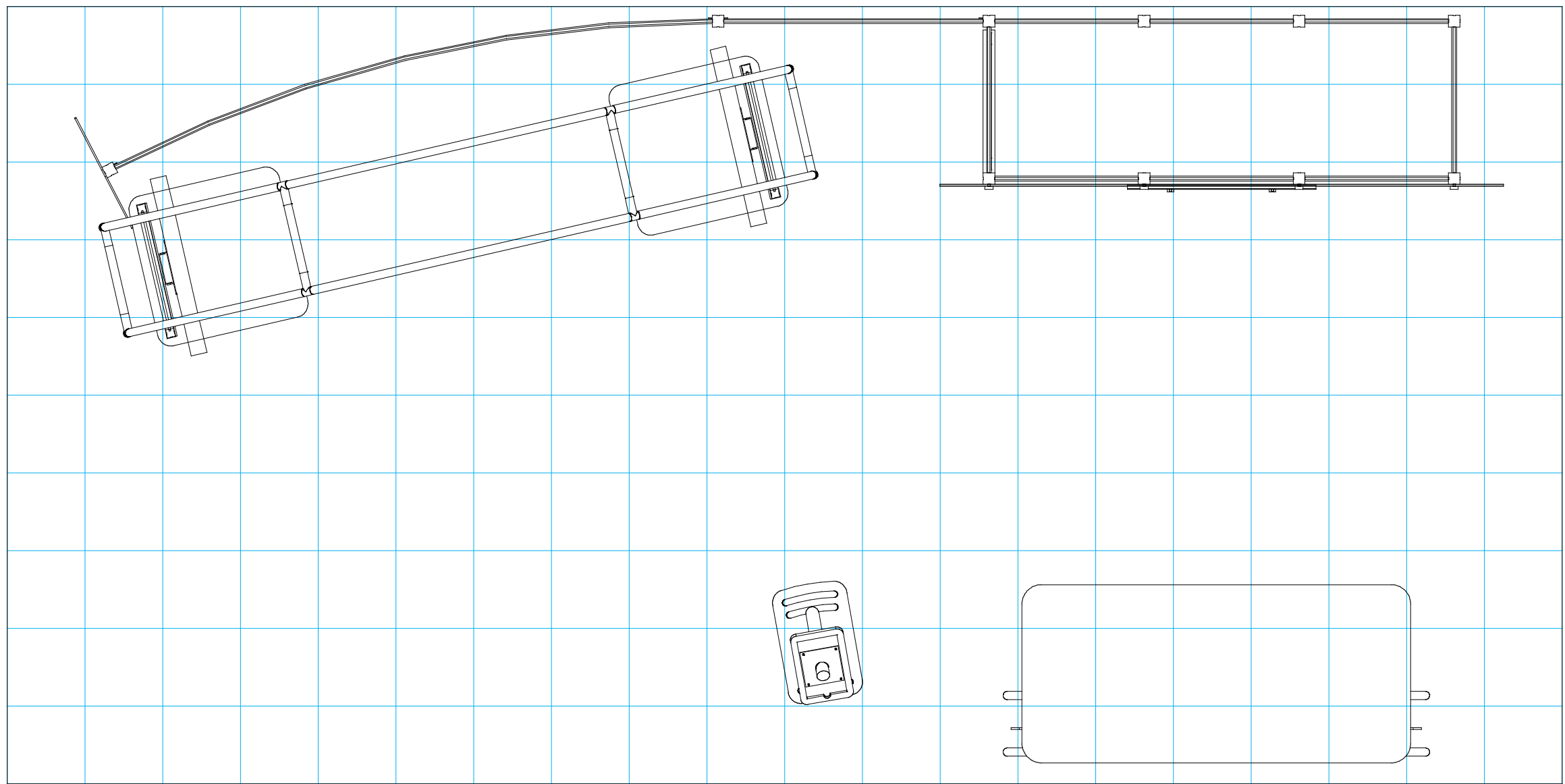
Plan View


20'

10'



SETUP INSTRUCTIONS



 = 1 sq foot

General Setup Instructions

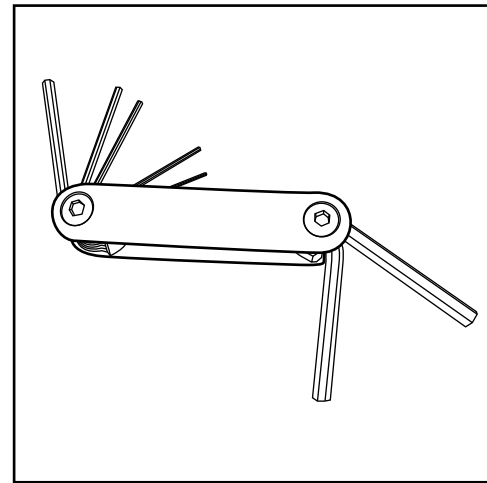
- Read entire setup instruction manual prior to unpacking parts and pieces.
- The setup instructions are created specifically for this configuration.
- Setup instructions are laid out sequentially in steps, including exploded views with detailed explanation for assembly.

Cleaning & Packing

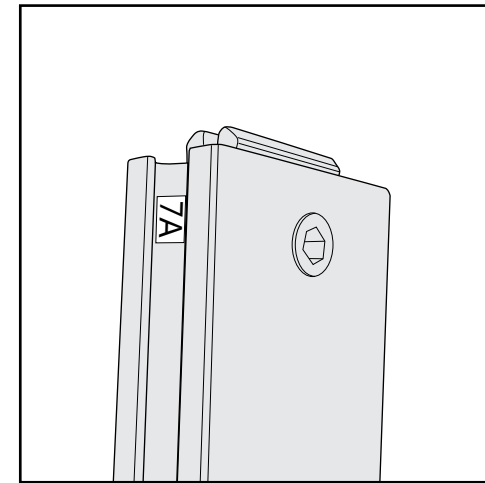
- For Cleaning Metal, Plex, & Laminate Parts: Use a **MILD NON-ABRASIVE** cleanser and soft cloth/paper towel to clean all surfaces.
- Keep exhibit components away from heat and prolonged sun exposure. **Heat and UV exposure will warp and fade components.**
- Retain all provided Packing Materials. All provided packing materials are for ease of repacking & component protection.

Disassembly

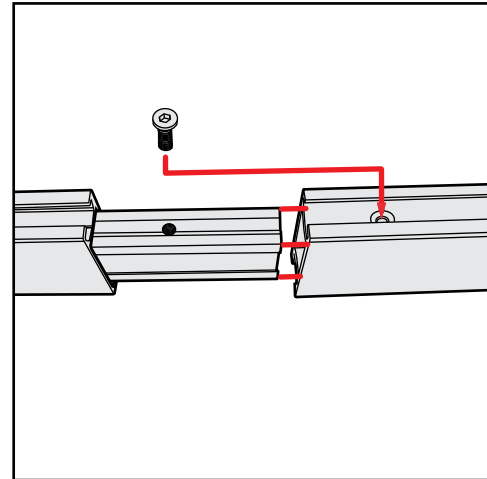
- For loss prevention, tighten all set screws and locks during disassembly.



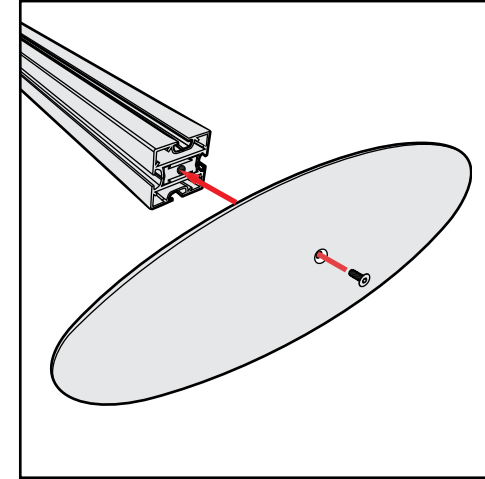
Hex Tool - Essential for Assembly



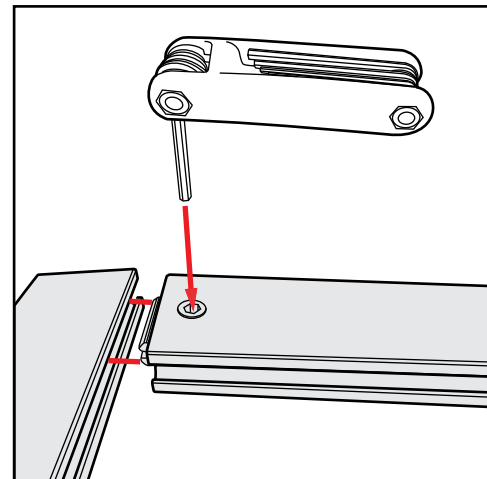
Part Identification - Numbering



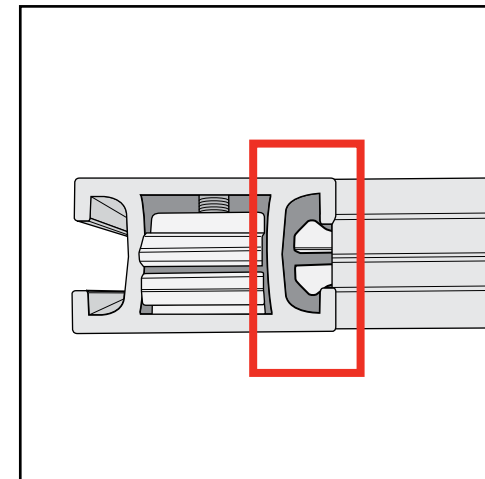
Spline Connection



Base Plate & Extrusion Connection



Extrusion & Lock Connection



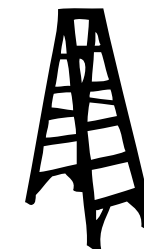
Engaged Lock



WARNING



DO NOT USE POWER TOOLS

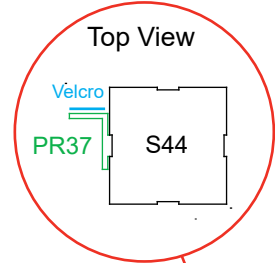


LADDERS OR LIFTS
MAY BE REQUIRED

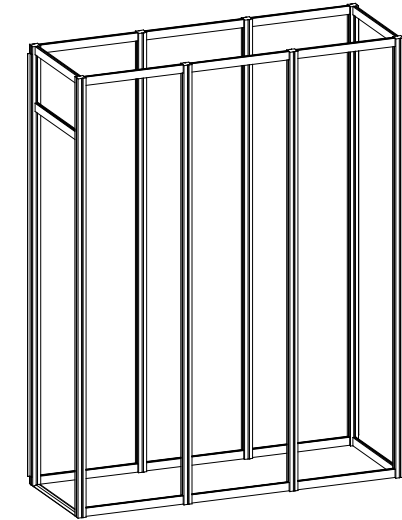
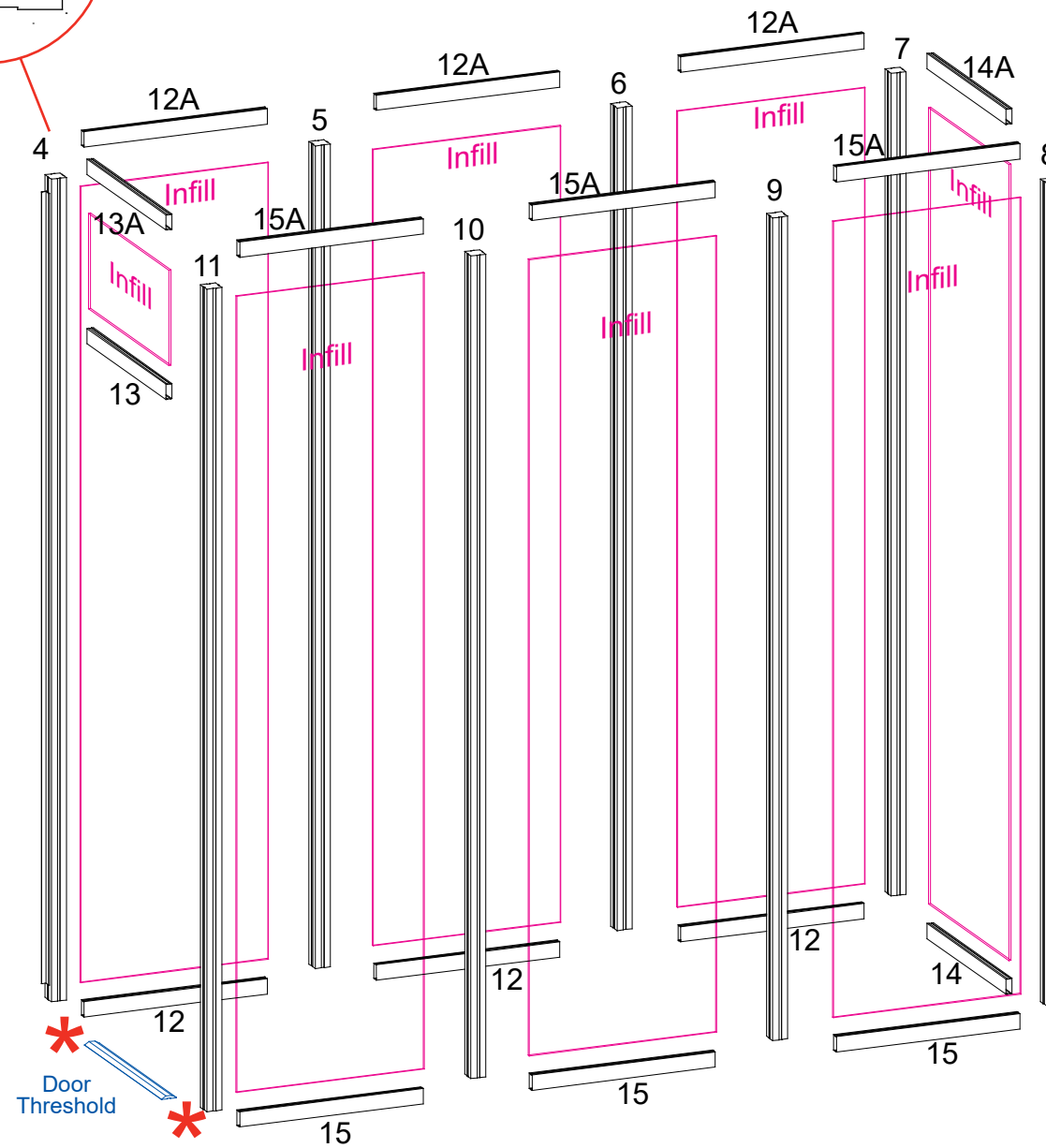
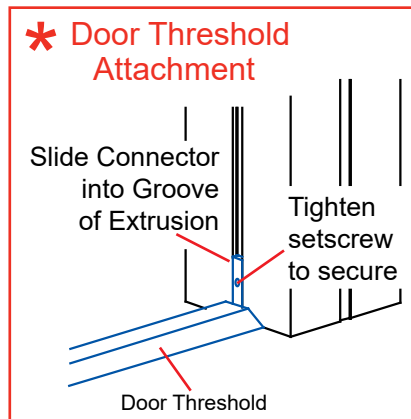


ALL CONNECTIONS MUST
BE TIGHTLY SECURED

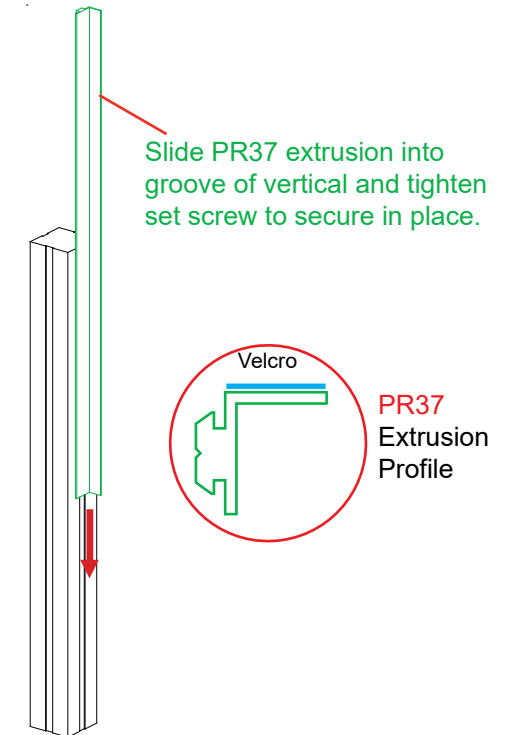
Item	Qty.	Description
4	1	96" h S44 Vertical Extrusion w/ Door Stop
5,6,7	1,1,1	96" h S44 Vertical Extrusion
8,9,10	1,1,1	96" h S44 Vertical Extrusion
11	1	96" h S44 Vertical Extrusion w/ Door Hinge
12/12A	3/3	22.126" w Z45 Horizontal Extrusion
13/13A	1/1	22.5" w Z45 Horizontal Extrusion
14/14A	1/1	22.5" w Z45 Horizontal Extrusion
15/15A	3/3	22.126" w Z45 Horizontal Extrusion
--	1	Door Threshold
--	1	92.4" h PR37 Vertical Extrusion



- Steps:
- 1) Connect PR37 to vertical [4], as shown.
Note: PR37 should remain attached to verticals during disassembly.
 - 2) Attach lower horizontals [12, 14, 15] & Door Threshold between verticals [4, 5, 6, 7, 8, 9, 10, 11] as shown, & connect horizontal [13] between verticals [4, 11].
See **Door Threshold Attachment** detail.
 - 3) Slide Infills between verticals; secure with upper horizontals [12A, 13A, 14A, 15A].

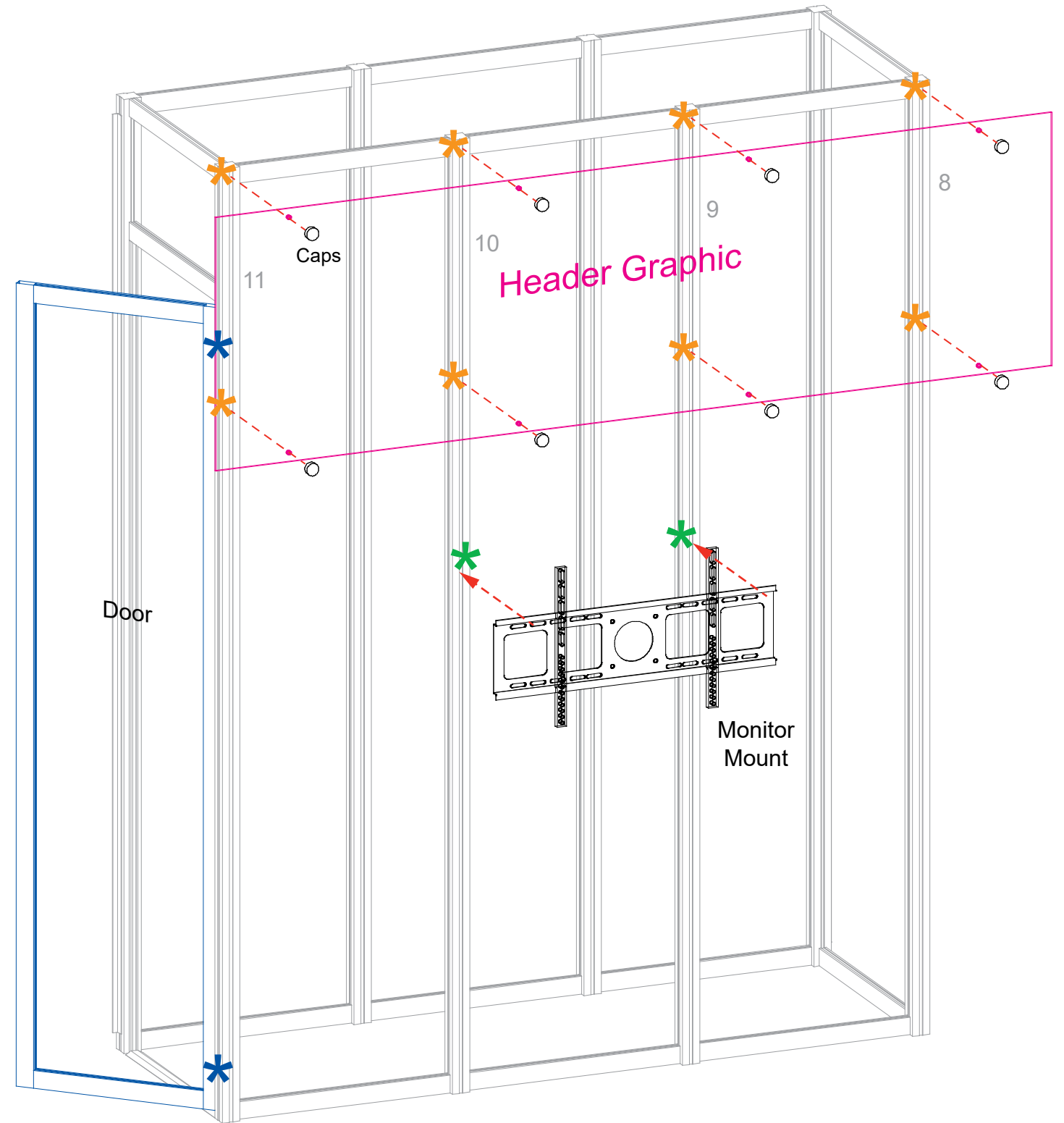
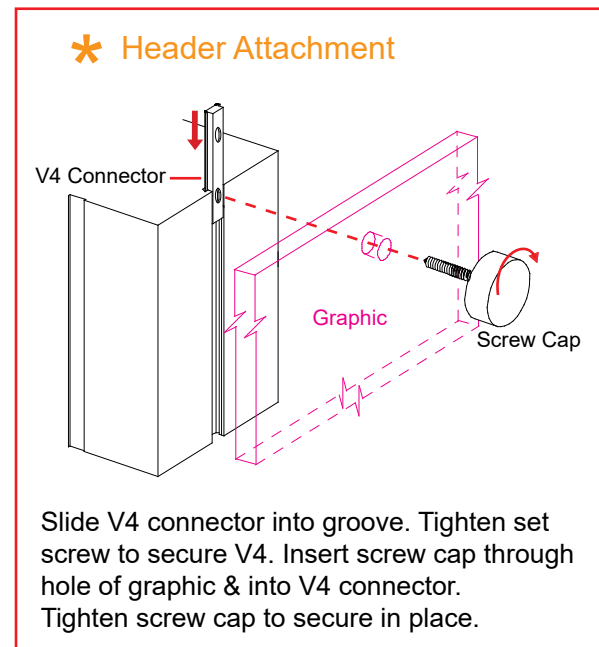
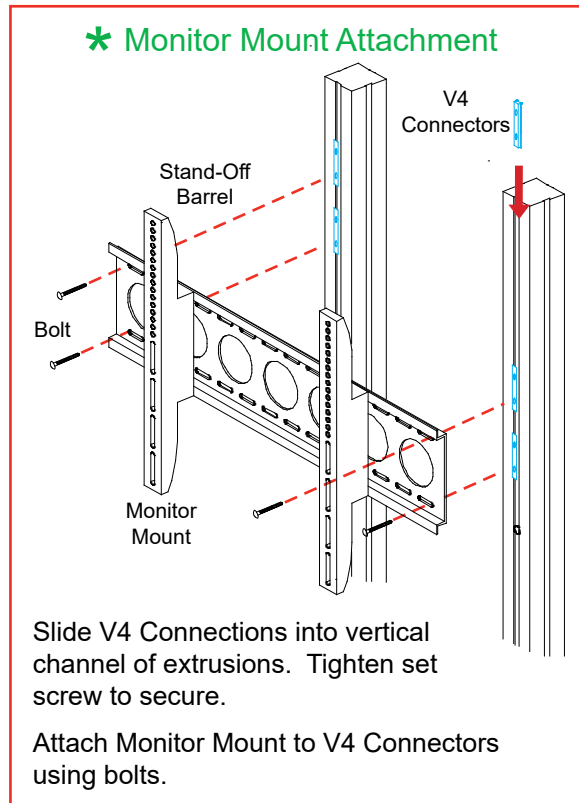


When assembled



Steps:

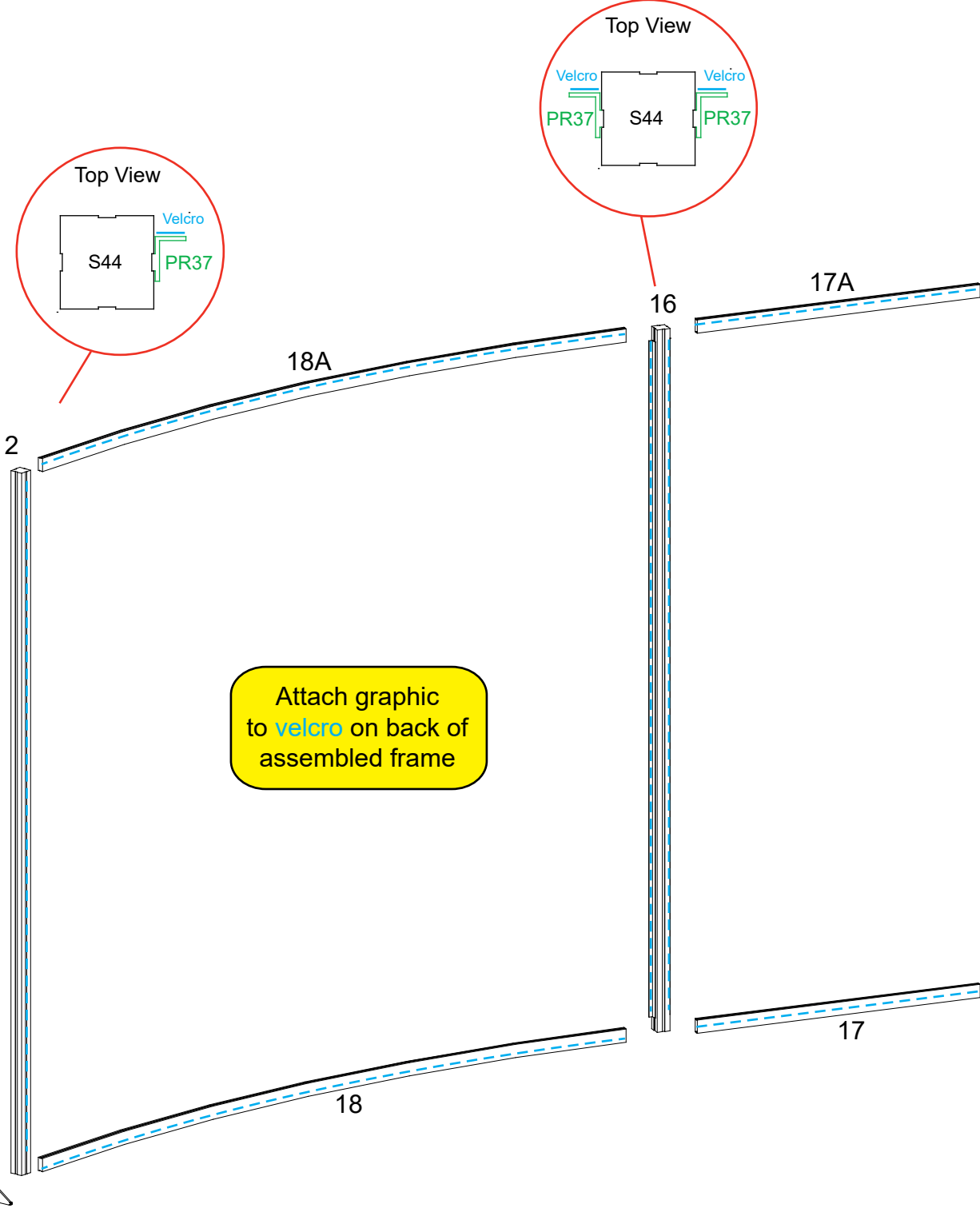
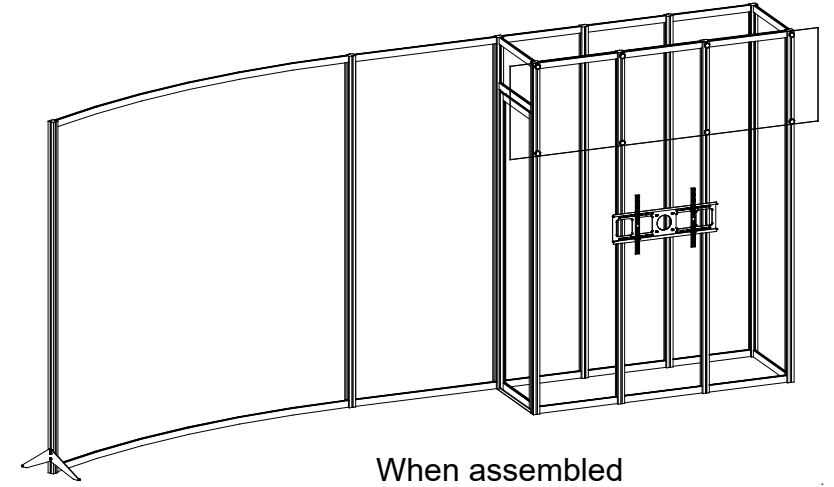
- 1) Install Door to Vertical [11]. See [Door Attachment](#) detail.
- 2) Attach Monitor Mount to Verticals [9,10].
See [Monitor Mount Attachment](#) detail.
- 3) Connect Header Graphic to Verticals [8,9,10,11] using screw caps. See [Header Attachment](#) detail.



Item	Qty.	Description
1	1	Boomerang Foot
2	1	96" h S44 Vertical Extrusion
16	1	96" h S44 Vertical Extrusion
17/17A	1/1	40" w Z45 Horizontal Extrusion
18/18A	1/1	96" Z45 curved Horizontal Extrusion
--	3	92.4" h PR37 Vertical Extrusion

Steps:

- 1) Connect PR37 to verticals [2,16], as shown.
Note: PR37 should remain attached to verticals during disassembly.
- 2) Attach Boomerang Foot [1] to vertical [2].
See **Boomerang Foot Attachment** detail.
- 3) Attach horizontals [17,17A,18,18A] between verticals [4,16,2] as shown.
- 4) Apply fabric graphic to back side of frame assembly, using Velcro.



*** Boomerang Foot Attachment**

Slide V4 Connectors into groove of vertical extrusion & tighten set screw to secure.

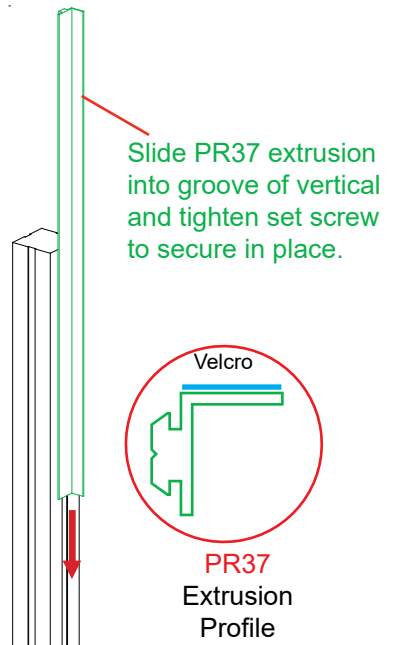
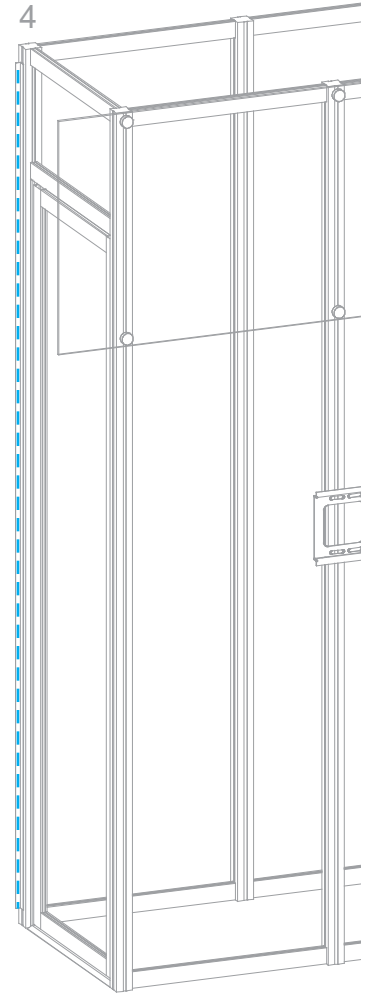
Attach foot with Bolts.

Vertical

Foot

set screw

Bolt



AERO

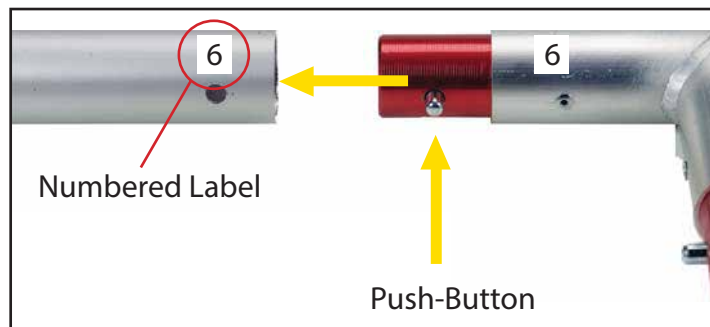
Using Your Setup Instructions

The Aero Setup Instructions are created specifically for your configuration. The instructions include an exploded view of the frame which is sequentially labeled. We encourage you to review the instructions before attempting to assemble your exhibit.

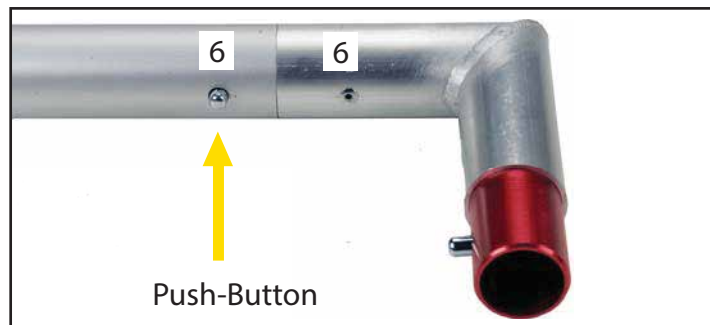
Connections are kept very simple; no tools required. Everything assembles with push-button connectors.

Cleaning and Packing Your Display

- 1) Use care when cleaning aluminum extrusion or acrylic inserts. Use only non-abrasive cleaners.
- 2) Retain all packing material. It will make re-packing much easier and will reduce the likelihood of shipping damage.

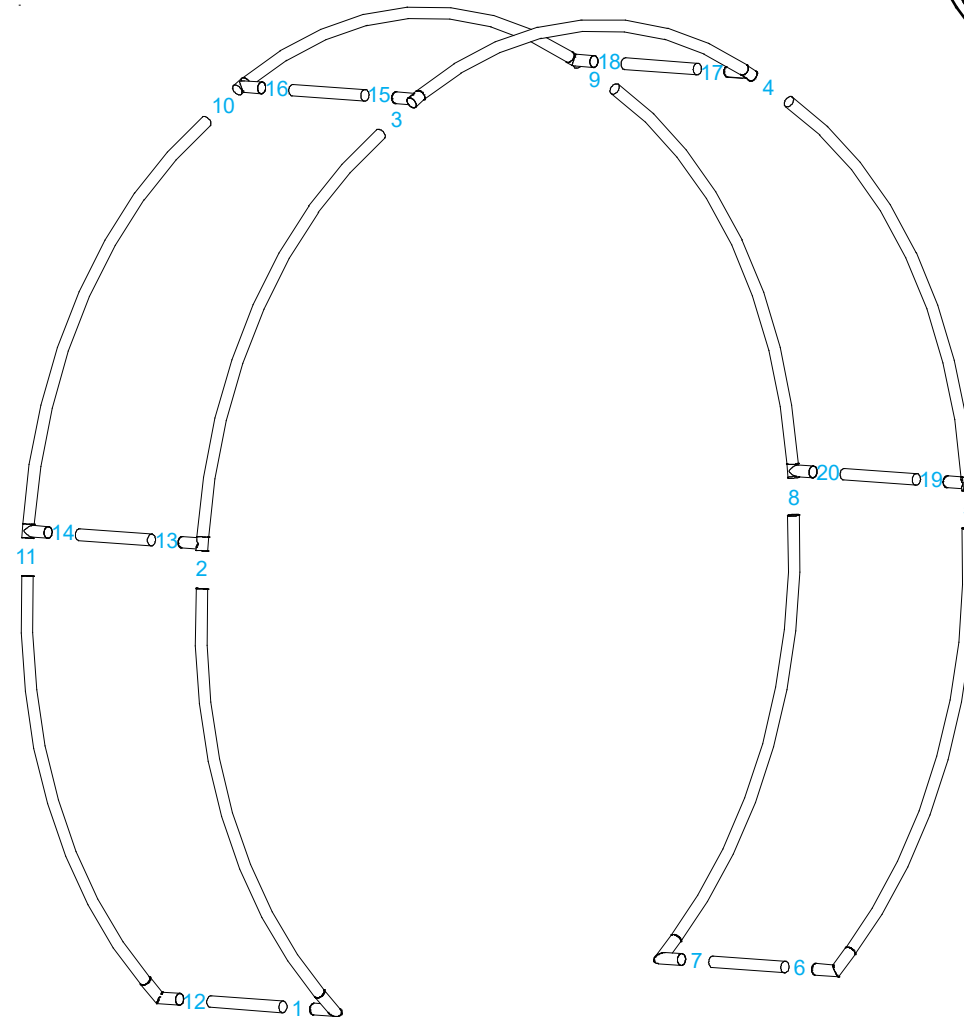
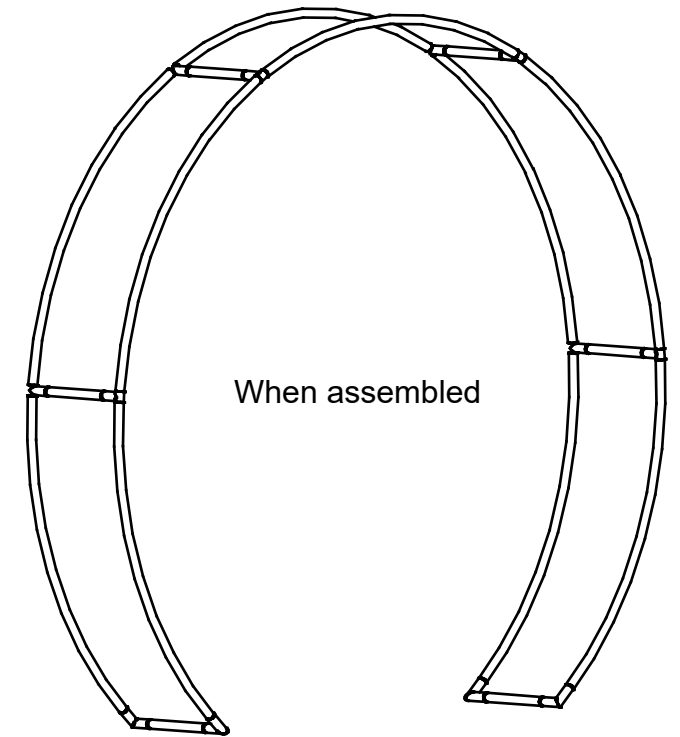


Connections are made by holding the button down and sliding the red tube into opposing tube until button locks into the hole of the opposing tube. To disassemble, push button and pull or twist extrusions apart.

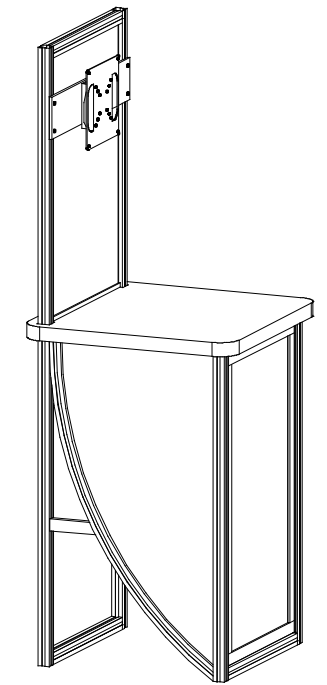
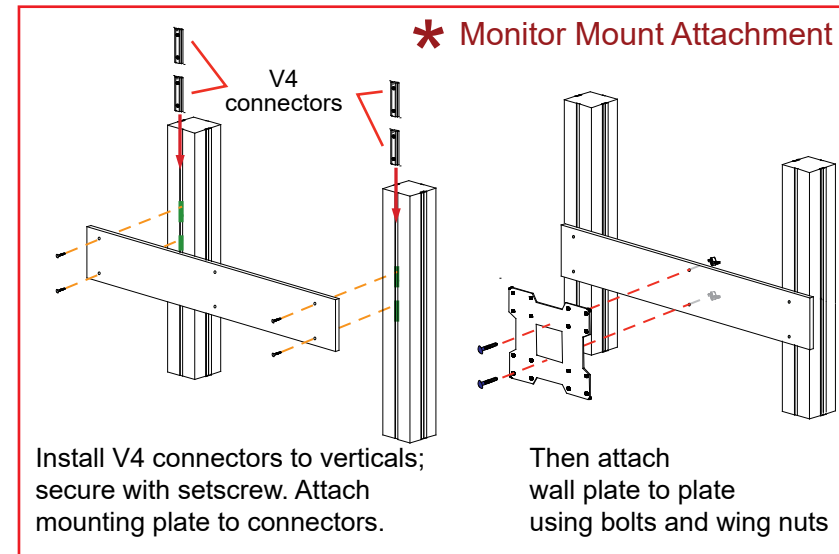
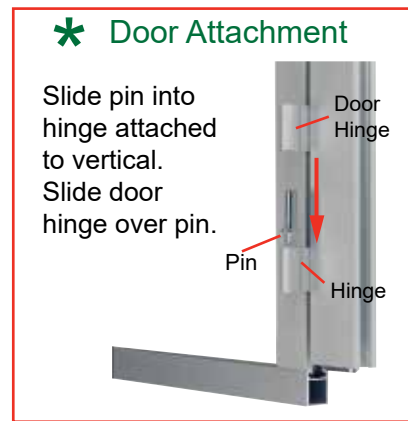


Steps:

- 1) Assemble Aero frame parts together in numerical order, as shown.
- 2) Attach pillowcase graphic to assembled frame.



Item	Qty.	Description
1	2	66" h S40 Vertical Extrusion
2	2	66" h S40 Vertical Extrusion
3	2	36" h S40 Vertical Extrusion w/ Door Hinge
4	2	36" h S40 Vertical Extrusion w/ Door Stop
5	2	40.975" S40 curved Vertical Extrusion
6	2	40.975" S40 curved Vertical Extrusion
7	2	5.24" w Z32 Horizontal Extrusion w/ mitred end
8	2	5.24" w Z32 Horizontal Extrusion w/ mitred end
9/9A/9B	2/2/2	18.5" w S40 Horizontal Extrusion
10/10A	2/2	18.5" w S40 Horizontal Extrusion
11/11A	2/2	18.5" w S40 Horizontal Extrusion
12	2	21.02" x 4.5" Mounting Plate

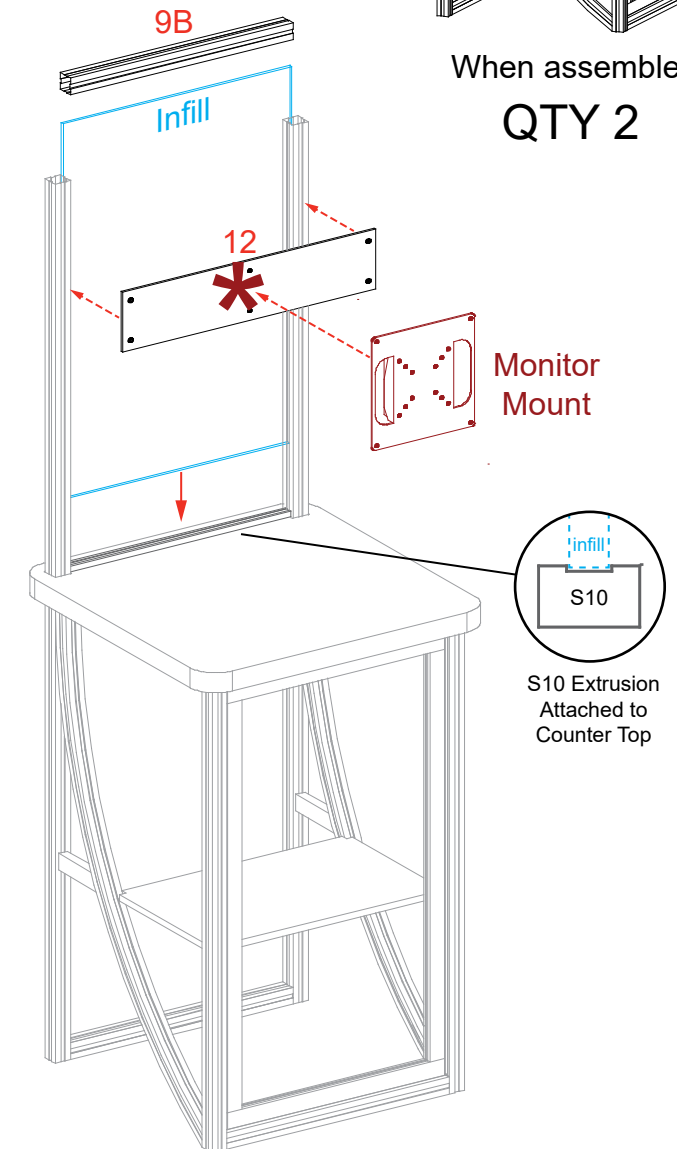
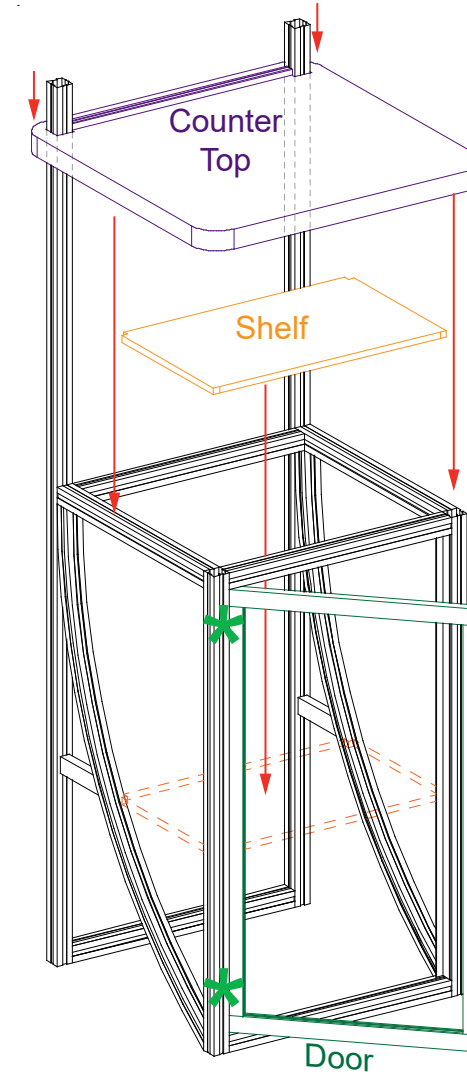
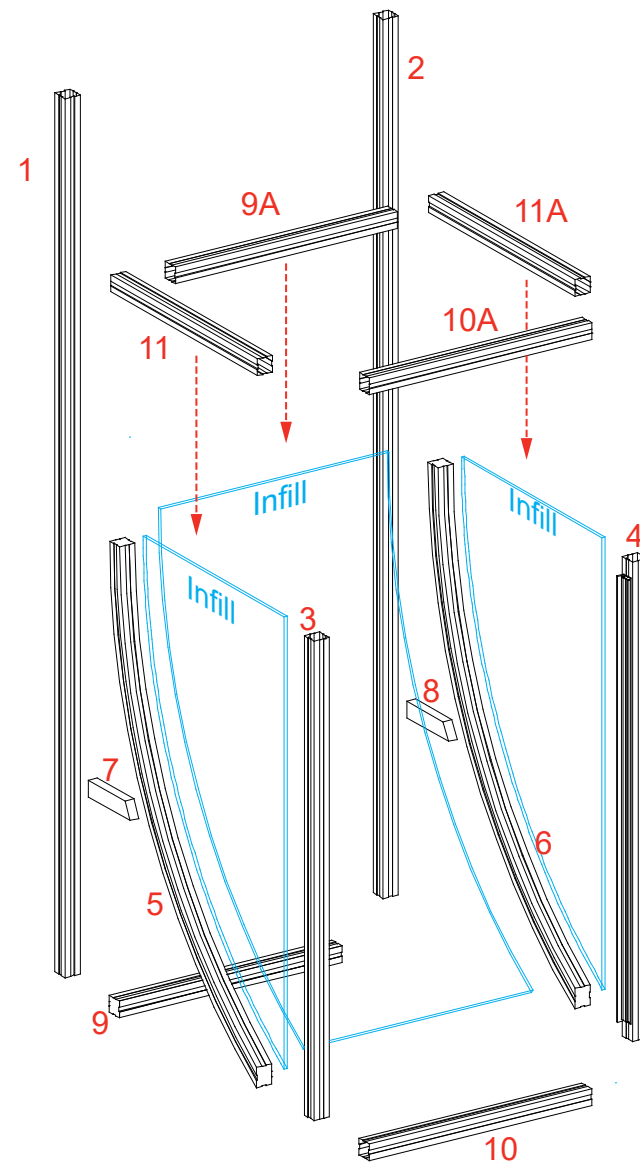


When assembled
QTY 2

Steps:

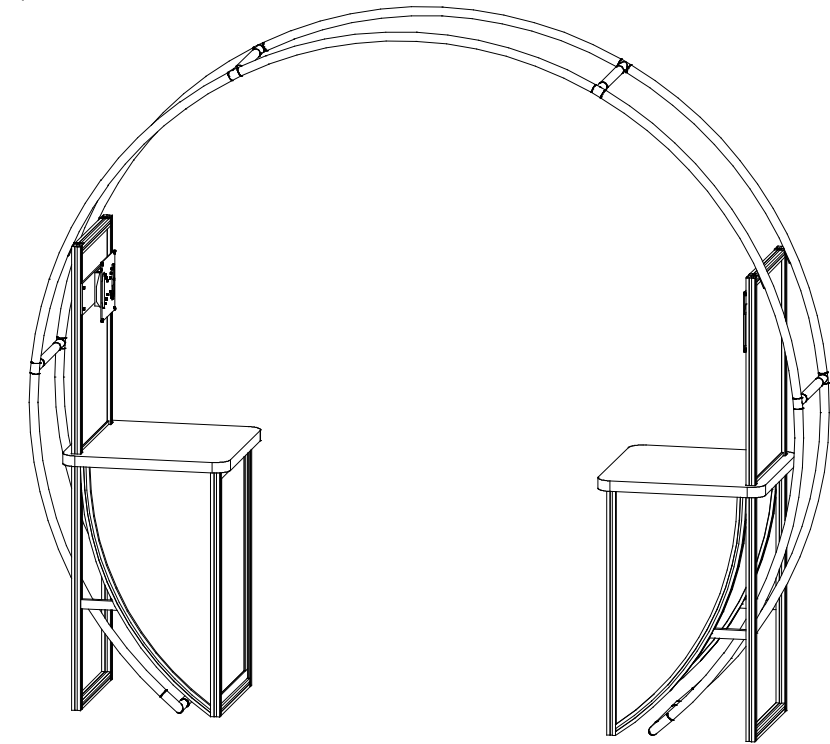
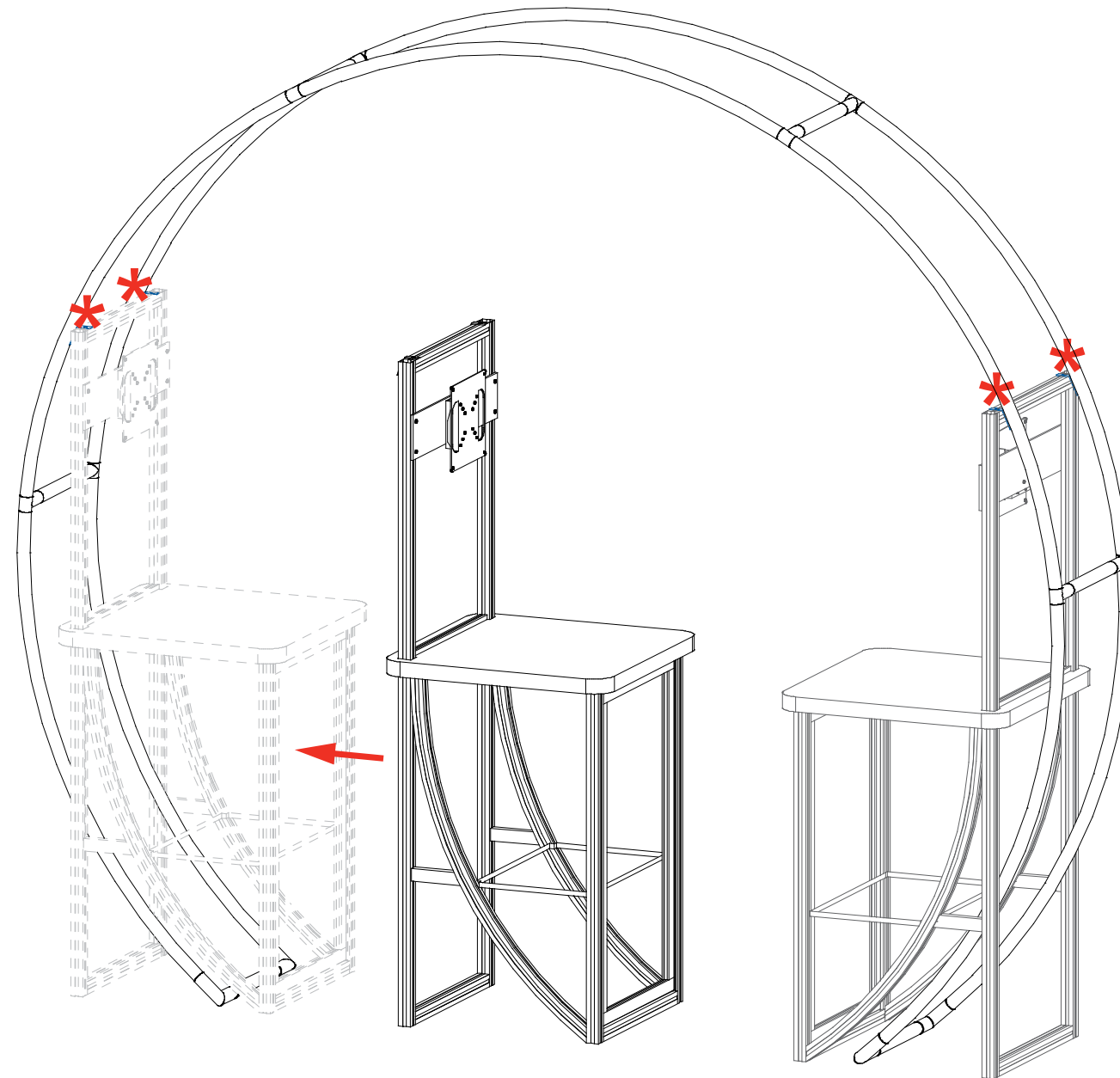
- 1) Connect curved extrusions [5,6] between verticals [1,2,3,4] using horizontals [7,8].
- 2) Attach lower horizontal [9] between verticals [1,2]; connect lower horizontal [10] between verticals [3,4].
- 3) Attach Door between verticals [3,4]. See **Door Attachment** detail.
- 4) Slide lower **infills** between verticals & curved extrusions as shown; secure with horizontals [9A,10A,11,11A].
- 5) Place **Shelf** inside assembly.
- 6) Place **Counter Top** onto assembly, sliding over verticals [1,2].
- 7) Slide upper **infill** between verticals [1,2]; secure with upper horizontal [9B].
- 8) Attach Mounting Plate [12] to verticals [1,2]; & install Monitor Mount. See **Monitor Mount Attachment** detail.

Repeat steps 1 through 8 for other workstation.

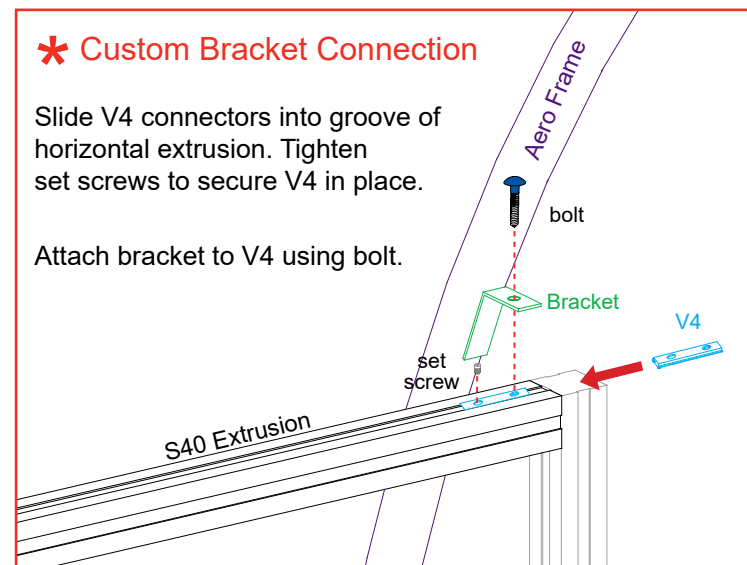


Steps:

- 1) Slide assembled Kiosks over Aero frame.
- 2) Connect Aero Frame to Kiosks using custom bracket.
See **Custom Bracket Connection** detail.



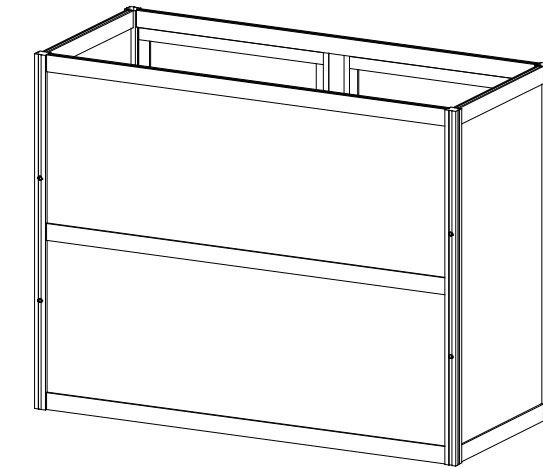
When assembled



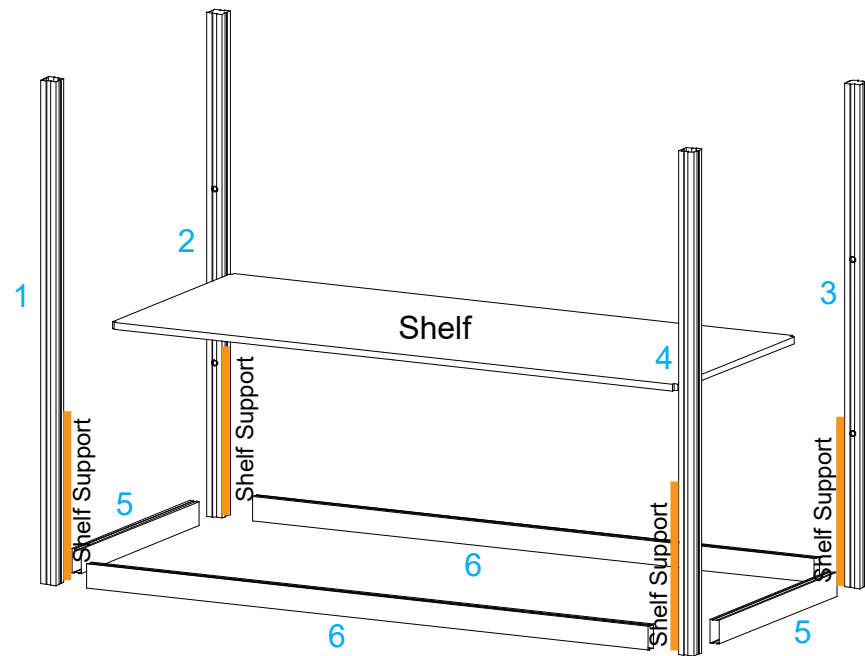
Item	Qty.	Description
1	1	37.5" h Vertical Extrusion
2	1	37.5" h Vertical Extrusion
3	1	37.5" h Vertical Extrusion
4	1	37.5" h Vertical Extrusion
5/5A	2/2	18.5" w Horizontal Extrusion
6/6A/6B	2/1/2	46" w Horizontal Extrusion
7	1	33.917" h Vertical Extrusion

Steps:

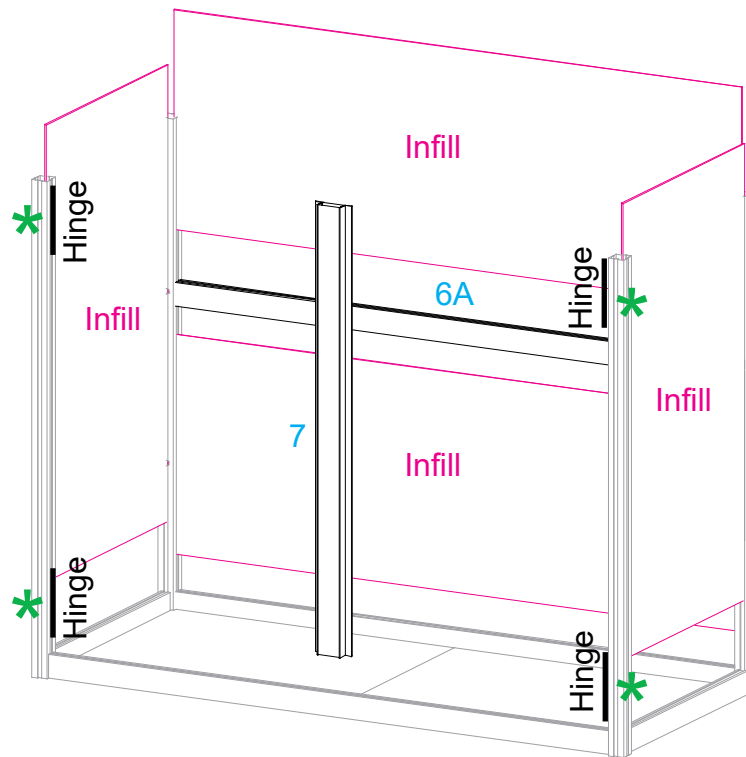
- 1) Connect lower Horizontals [5,6] between Verticals [1,2,3,4].
- 2) Attach Vertical [7] to lower Horizontal [6].
- 3) Slide **Infills** between Verticals [1,2] [2,3] and [3,4].
- 4) Connect Horizontal [6A] between Verticals [2,3].
- 5) Place **Infill** on top of Horizontal [6A].
- 6) Connect assembled Counter frame to Floor.
- 7) Connect Doors to Vertical Extrusions [1] & [4].
See **Door Attachment** detail.
- 8) Connect upper Horizontals [5A] & [6B] between Verticals and on top of Infills and Doors.



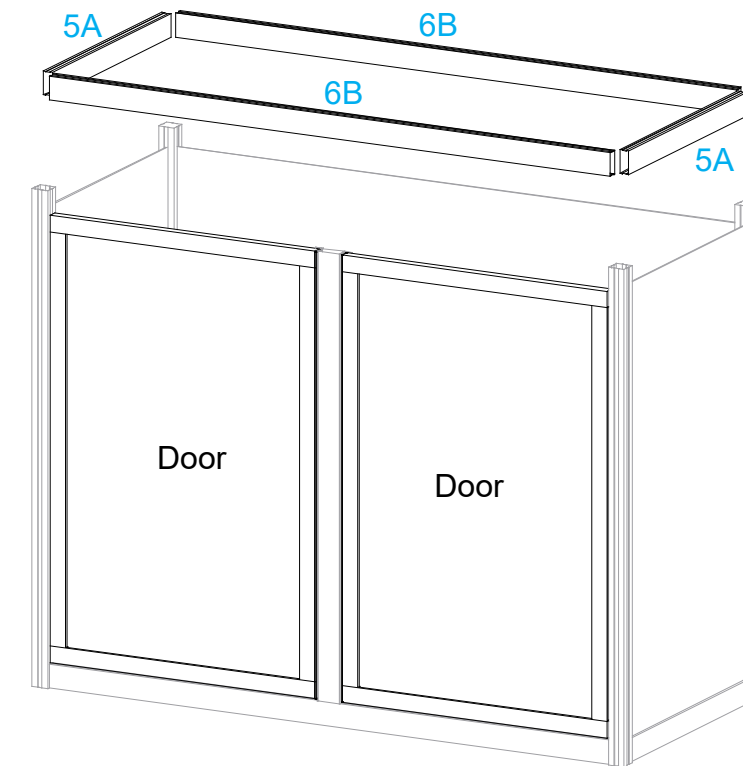
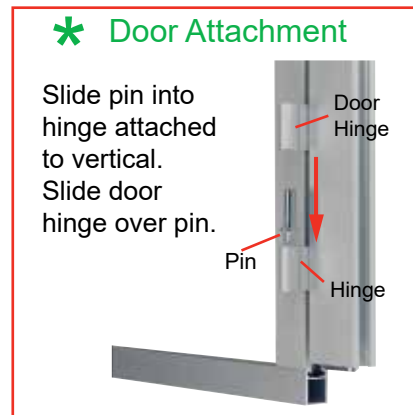
When assembled
(Front View)



Back View



Back View



Back View

AERO

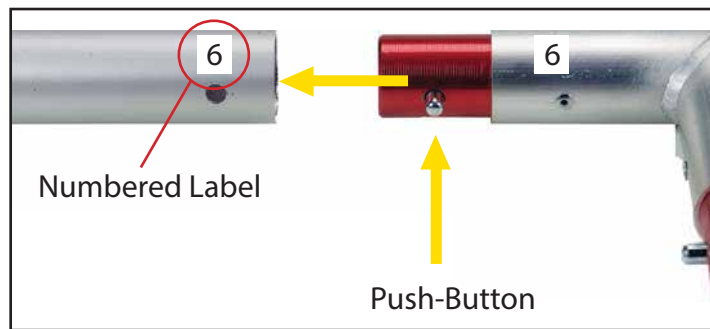
Using Your Setup Instructions

The Aero Setup Instructions are created specifically for your configuration. The instructions include an exploded view of the frame which is sequentially labeled. We encourage you to review the instructions before attempting to assemble your exhibit.

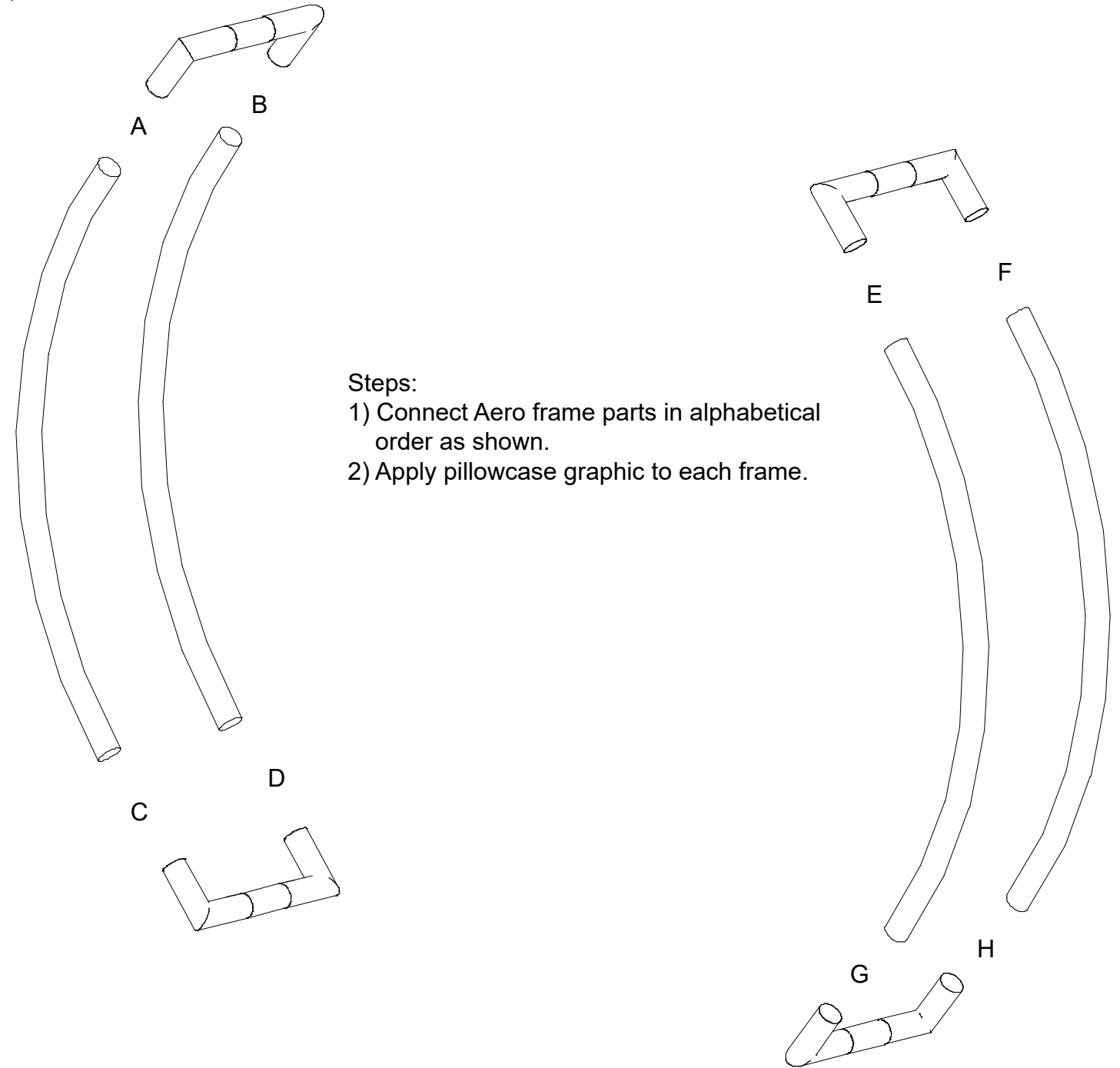
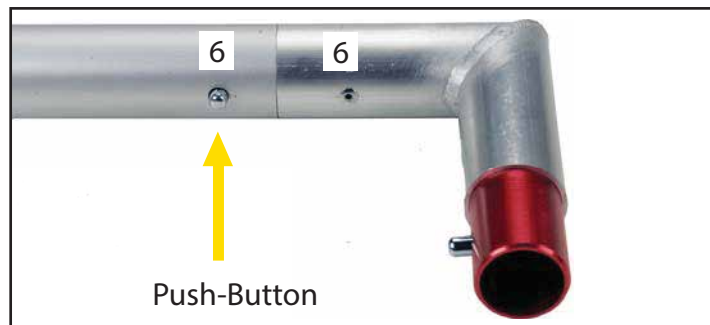
Connections are kept very simple; no tools required. Everything assembles with push-button connectors.

Cleaning and Packing Your Display

- 1) Use care when cleaning aluminum extrusion or acrylic inserts. Use only non-abrasive cleaners.
- 2) Retain all packing material. It will make re-packing much easier and will reduce the likelihood of shipping damage.



Connections are made by holding the button down and sliding the red tube into opposing tube until button locks into the hole of the opposing tube. To disassemble, push button and pull or twist extrusions apart.

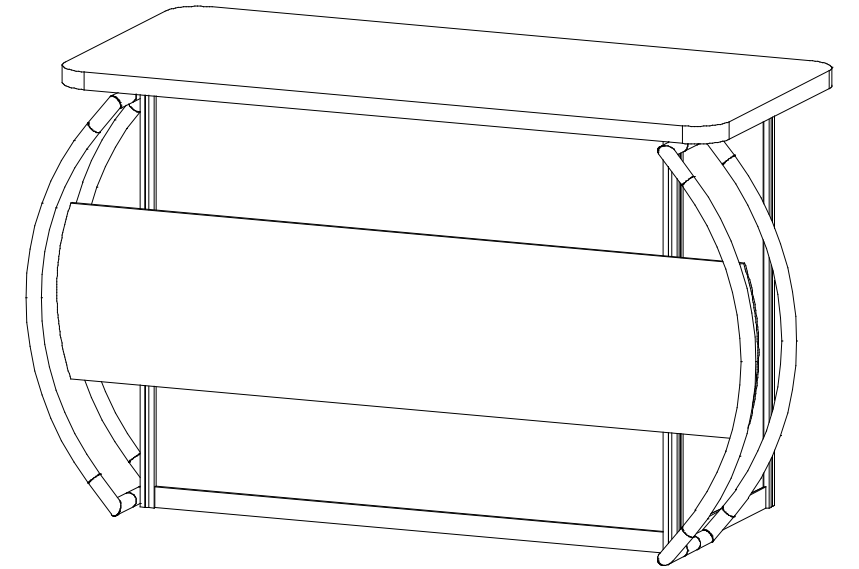
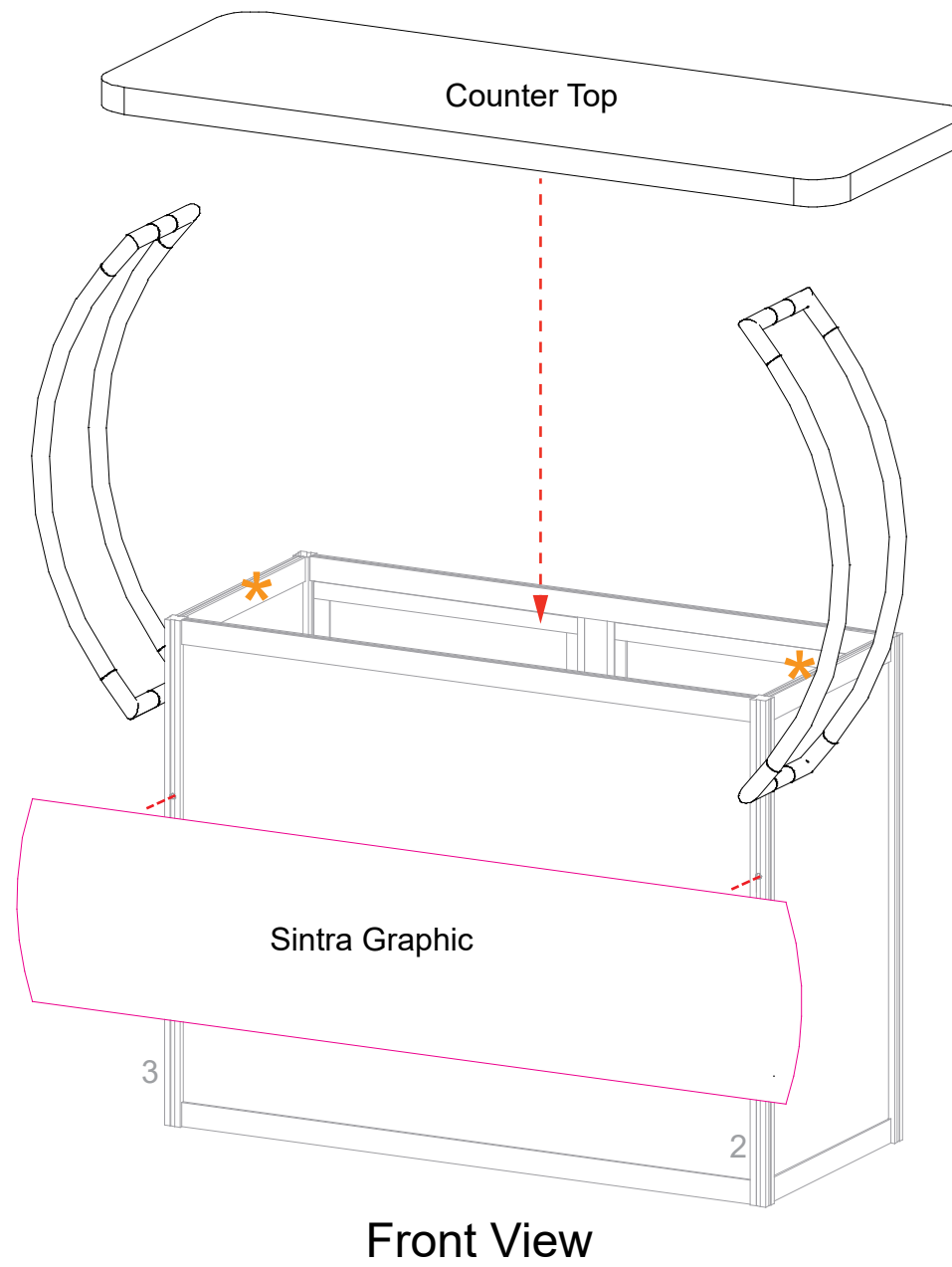
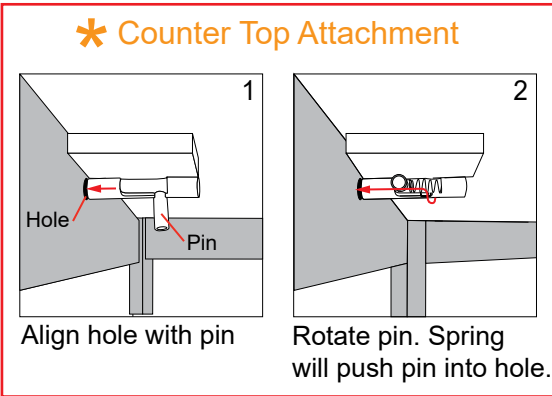


Steps:

- 1) Connect Aero frame parts in alphabetical order as shown.
- 2) Apply pillowcase graphic to each frame.

Steps:

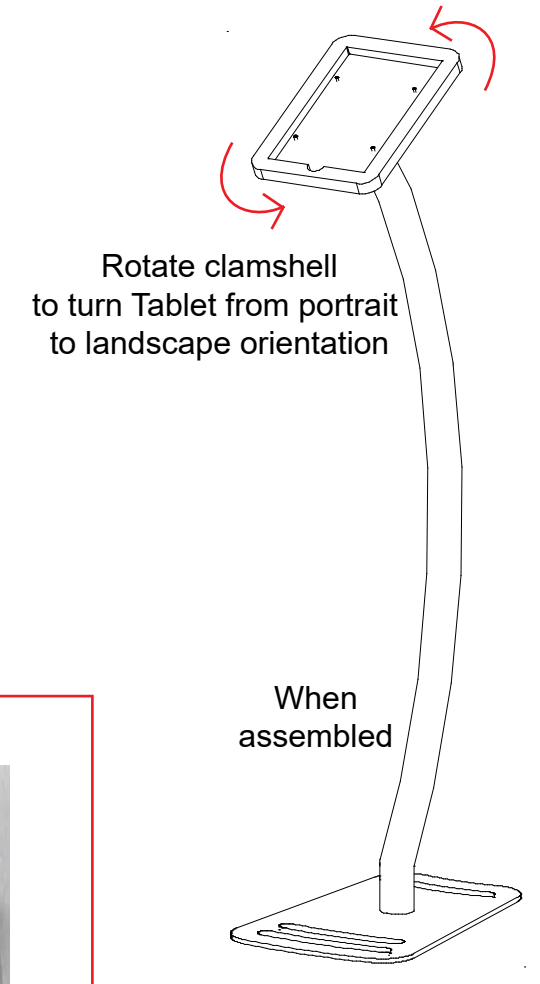
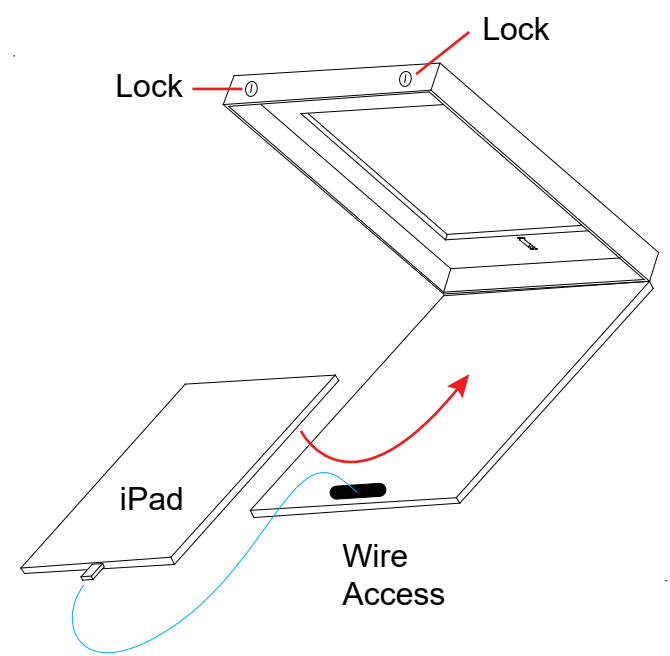
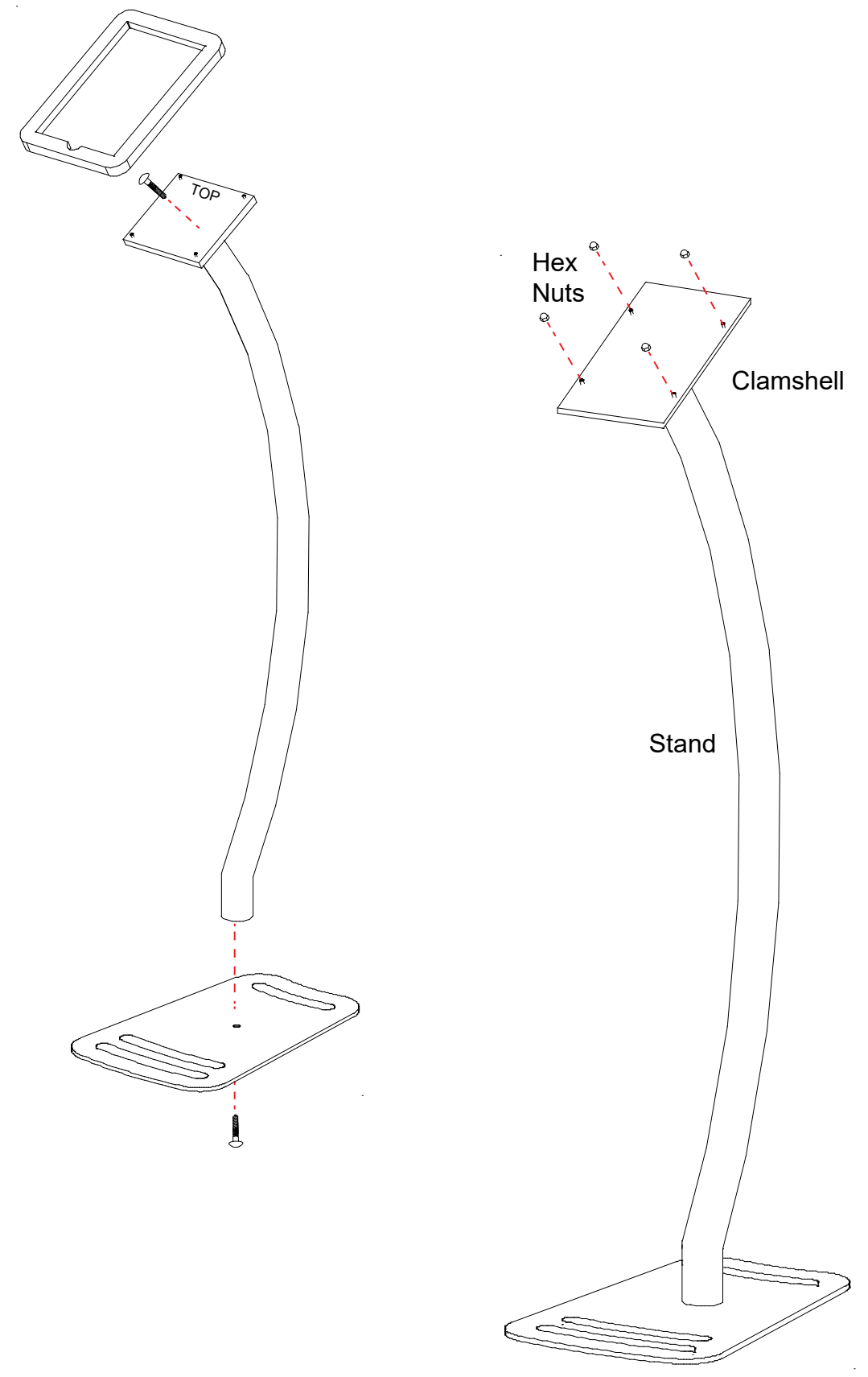
- 1) Slide Aero Frame assemblies into the groove of front Verticals [2] & [3].
- 2) Attach front Sintra graphic to Verticals [2,3], using Velcro.
- 3) Place Counter Top on top of assembled Base. See **Counter Top Attachment** detail.



Completed Assembly

Steps:

- 1) Attach base to curved stand, using bolts.
- 2) Attach square plate to stand, using bolts.
- NOTE: Square plate must rotate to left and right before installing clamshell.*
- 3) Attach clamshell to square plate using hex nuts.
- 4) Insert iPad and feed wire through hole as shown in detail.



Wire Management for iPad

Attach iPad Cord to supplied USB Extension Cord. Feed USB Cord through top hole of Post, then out bottom hole of Post. Connect to Power.

Optional Cover for Home Button

- 1) Remove foam lining from inside bottom of Clamshell.
- 2) Attach Home Button Shield with double-sided tape to inside of Clamshell, keeping top of shield flush with Clamshell opening.

NOTE: This is a permanent fix and can't be easily removed.

Tools Required:

- 1) Hex Tool
- 2) Pliers