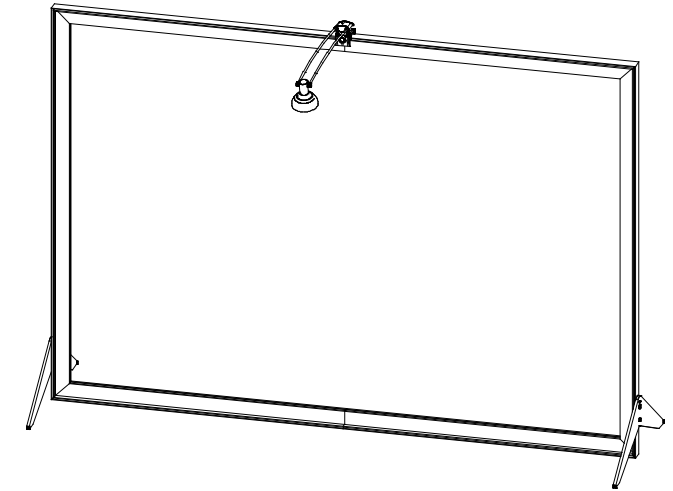
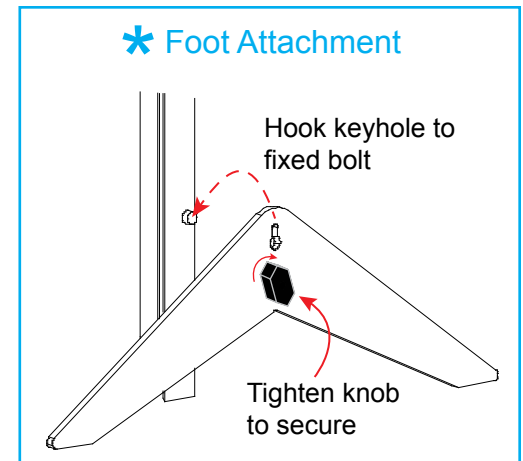
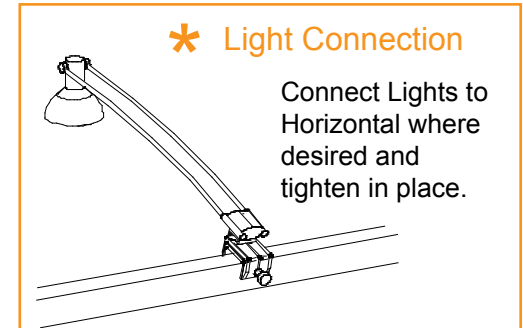
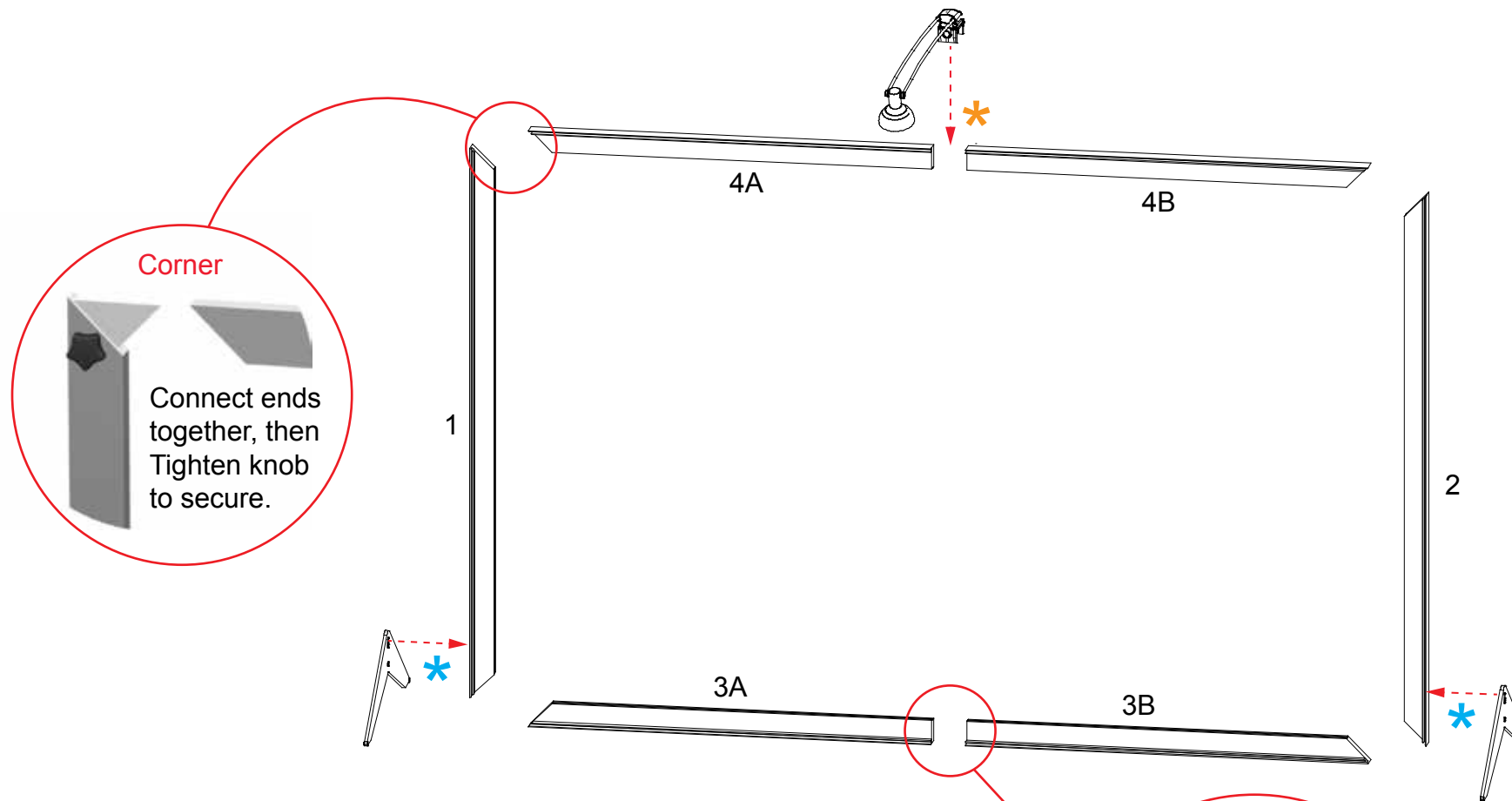


Item	Qty.	Description
1	1	44" Vertical Extrusion
2	1	44" Vertical Extrusion
3A,3B	1,1	31.5" Horizontal Extrusion
4A,4B	1,1	31.5" Horizontal Extrusion
--	2	Foot

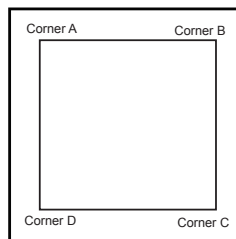
- Steps:
- 1) Connect horizontals [3A] to [3B] and [4A] to [4B]. See **Straight** detail.
 - 2) Connect verticals [1] and [2] to horizontal assemblies. See **Corner** detail.
 - 3) Attach foot to verticals [1] and [2]. See **Foot Attachment** detail.
 - 4) Attach light to top of [4A/4B]. See **Light Attachment** detail.
 - 5) Install SEG graphic to front of assembled frame. See **SEG Graphic Installation** detail.



Completed Assembly



SEG Graphic Attachment



It is important to first insert graphic into each alternate corner then to the sides of the frame. If this is not done, graphic will not fit into the frame correctly.



Step 1
Insert corner A. Turn edge of graphic so silicon welt is perpendicular to face of graphic. Insert narrow side of welt with fabric to outside into the channel. Repeat for other side of this corner.



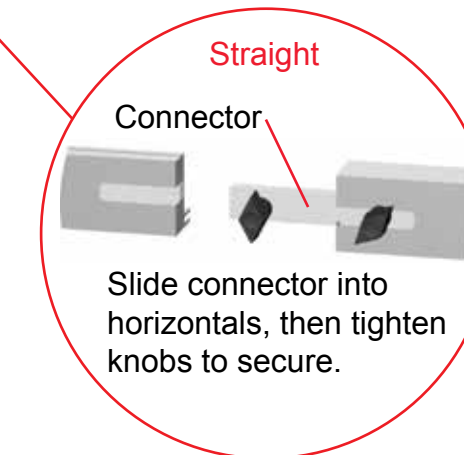
Step 2
Repeat Step 1 for opposite corner C, then insert corner D, to complete the installation of the corners.



Step 3
Once all corners are inserted, press one silicon edge into channel from corners and work toward the center. Make sure welt is fully inserted into channel. Continue until all sides are done. Smooth out edges of graphic.



Graphic Removal
To remove the graphic from the frame, locate the fabric pull tab. Gently pull up on the tab to remove the fabric.



SETUP INSTRUCTIONS

General Setup Instructions

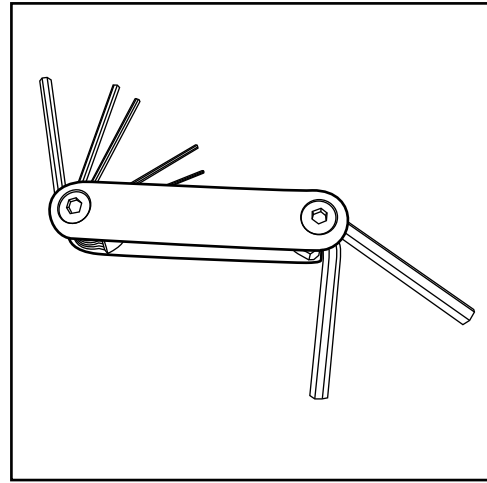
- Read entire setup instruction manual prior to unpacking parts and pieces.
- The setup instructions are created specifically for this configuration.
- Setup instructions are laid out sequentially in steps, including exploded views with detailed explanation for assembly.

Cleaning & Packing

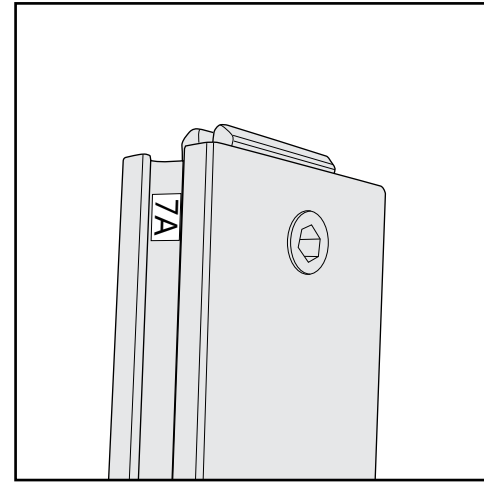
- For Cleaning Metal, Plex, & Laminate Parts: Use a **MILD NON-ABRASIVE** cleanser and soft cloth/paper towel to clean all surfaces.
- Keep exhibit components away from heat and prolonged sun exposure. **Heat and UV exposure will warp and fade components.**
- Retain all provided Packing Materials. All provided packing materials are for ease of repacking & component protection.

Disassembly

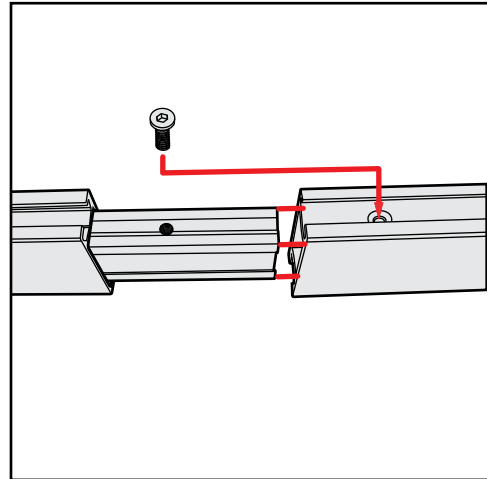
- For loss prevention, tighten all set screws and locks during disassembly.



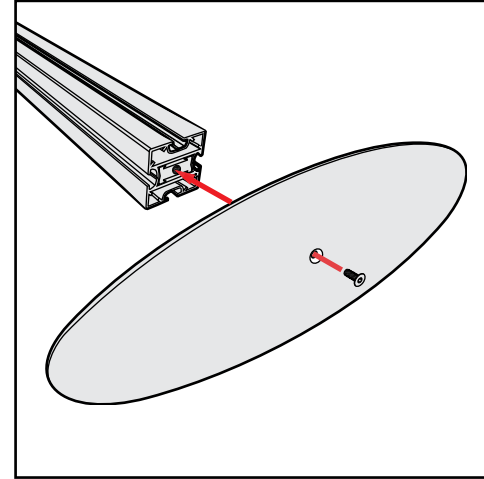
Hex Tool - Essential for Assembly



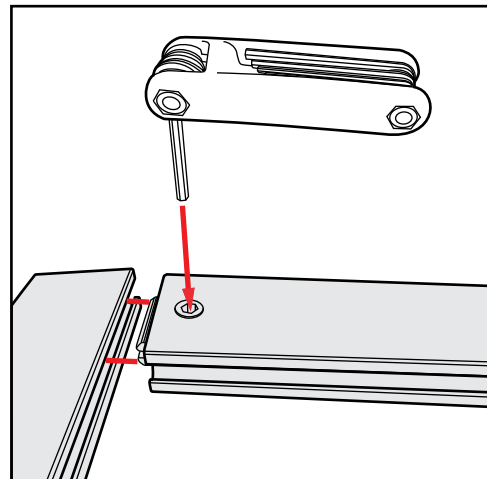
Part Identification - Numbering



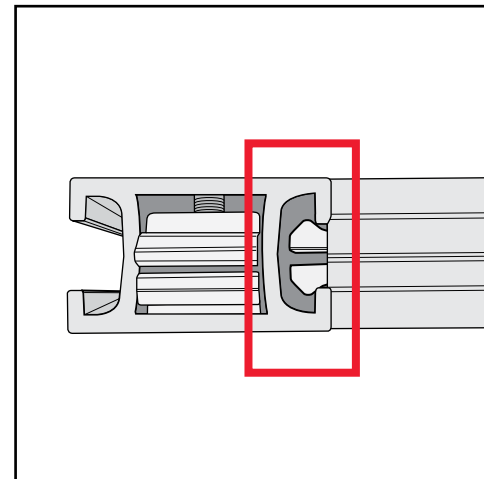
Spline Connection



Base Plate & Extrusion Connection



Extrusion & Lock Connection



Engaged Lock



WARNING



DO NOT USE POWER TOOLS

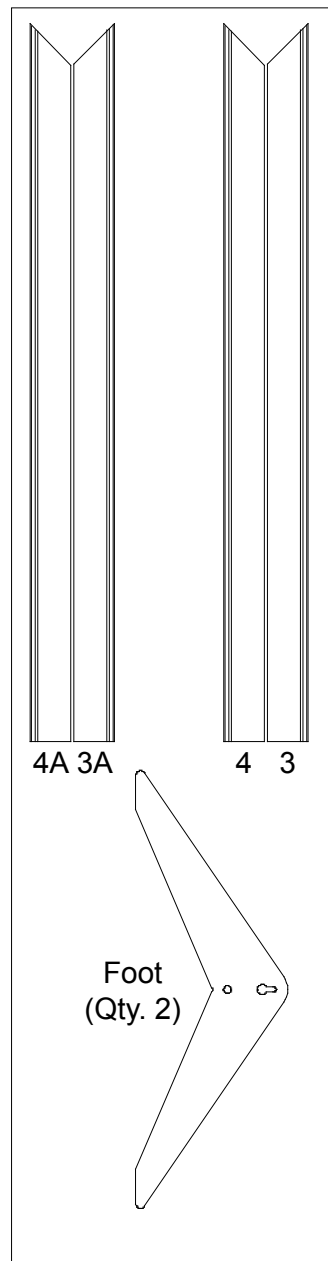


LADDERS OR LIFTS
MAY BE REQUIRED

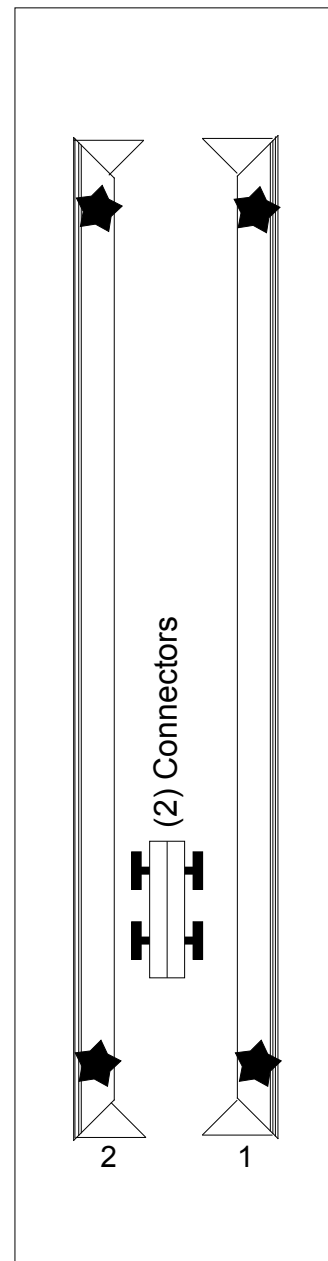


ALL CONNECTIONS MUST
BE TIGHTLY SECURED

Top View of Each Level



Level 1
(Bottom Level)



Level 2

