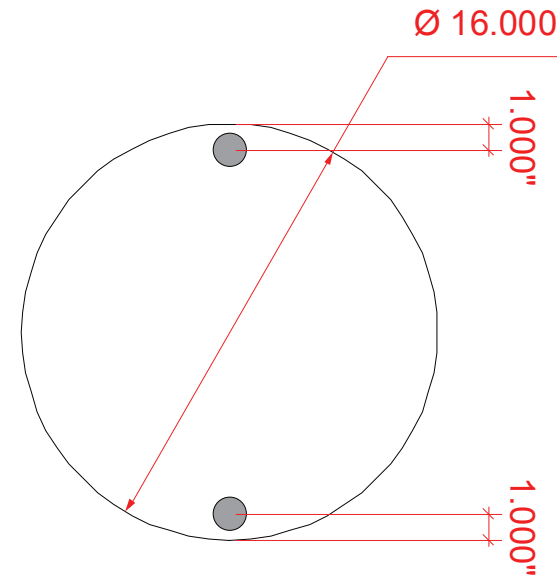
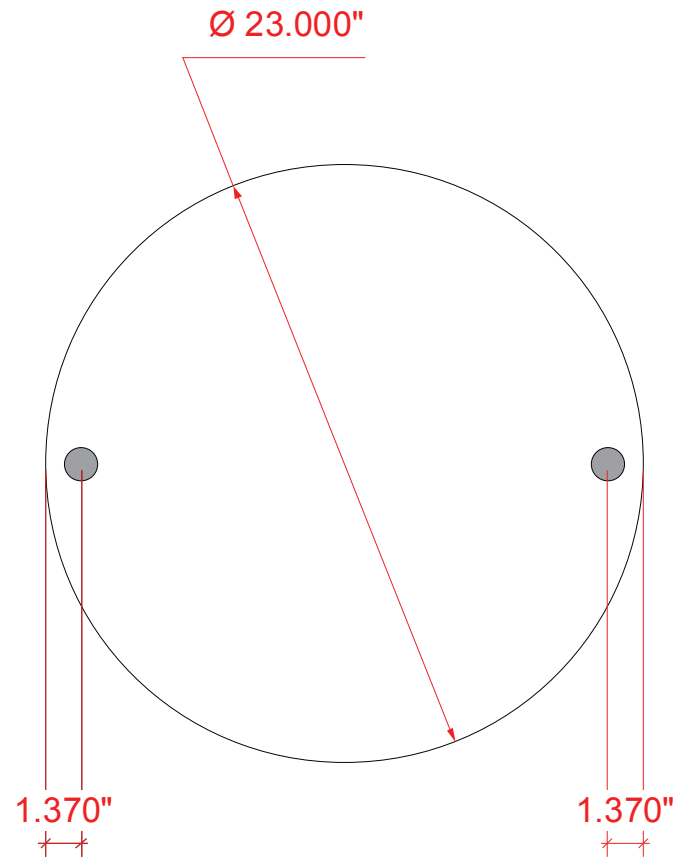


Product Name: MOD-1232
Process: Direct to Print
Material: 1/4" Sintra
Effective Date: 6/25/2013



NOTE: Graphic files must be @ 150 dpi Finished Size.
DO NOT send Flattened Files. Production can not manipulate
the content, proportion or color of these files.

****NOTE: Test frames may be required for guaranteed fitting of graphics****